

# PRODUCT INFORMATION PACKET

Model No: 5KC49TN0285X  
Catalog No: C292  
1,1725,TEFC,56,1/60/115/230  
Fan and Blower



Regal and Marathon are trademarks of Regal Beloit Corporation or one of its affiliated companies.  
©2018 Regal Beloit Corporation, All Rights Reserved. MC017097E



**Nameplate Specifications**

Output HP	<b>1 Hp</b>	Output KW	<b>0.75 kW</b>
Frequency	<b>60 Hz</b>	Voltage	<b>115/230 V</b>
Current	<b>13.2,6.6 A</b>	Speed	<b>1725 rpm</b>
Service Factor	<b>1</b>	Phase	<b>1</b>
Efficiency	<b>72.2 %</b>	Duty	<b>Continuous</b>
Insulation Class	<b>B</b>	Design Code	<b>-</b>
KVA Code	<b>K</b>	Frame	<b>56</b>
Enclosure	<b>Totally Enclosed Fan Cooled</b>	Overload Protector	<b>AUTO</b>
Ambient Temperature	<b>40 °C</b>	Drive End Bearing Size	<b>6203</b>
Opp Drive End Bearing Size	<b>6203</b>	UL	<b>Recognized</b>
CSA	<b>Yes</b>	CE	<b>N</b>

**Technical Specifications**

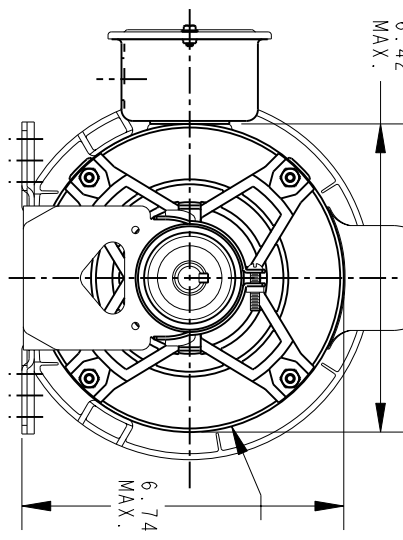
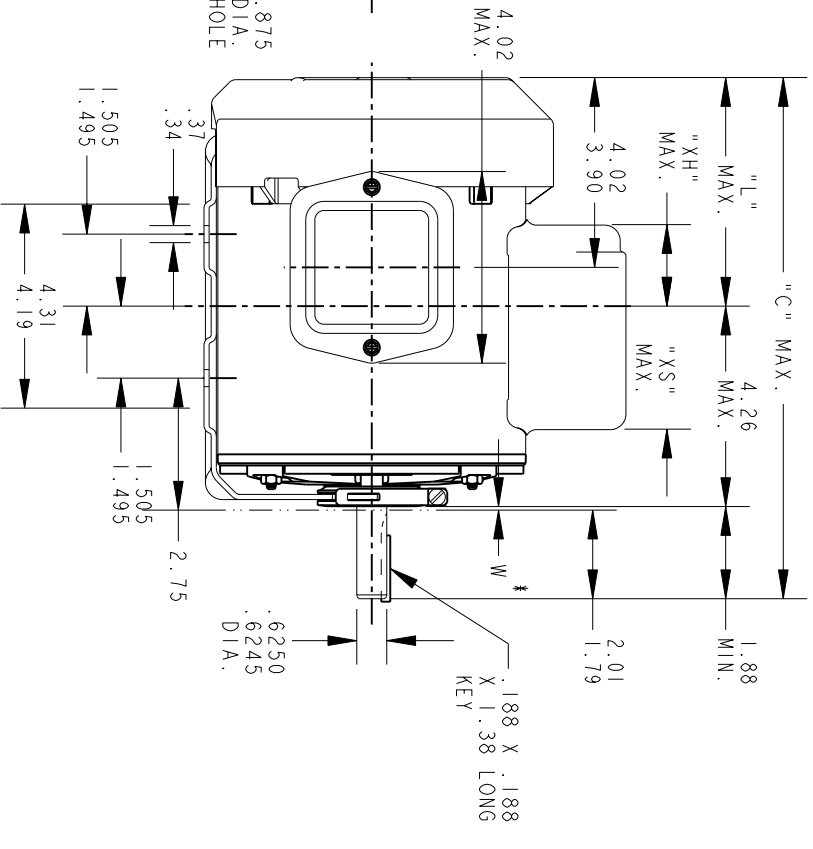
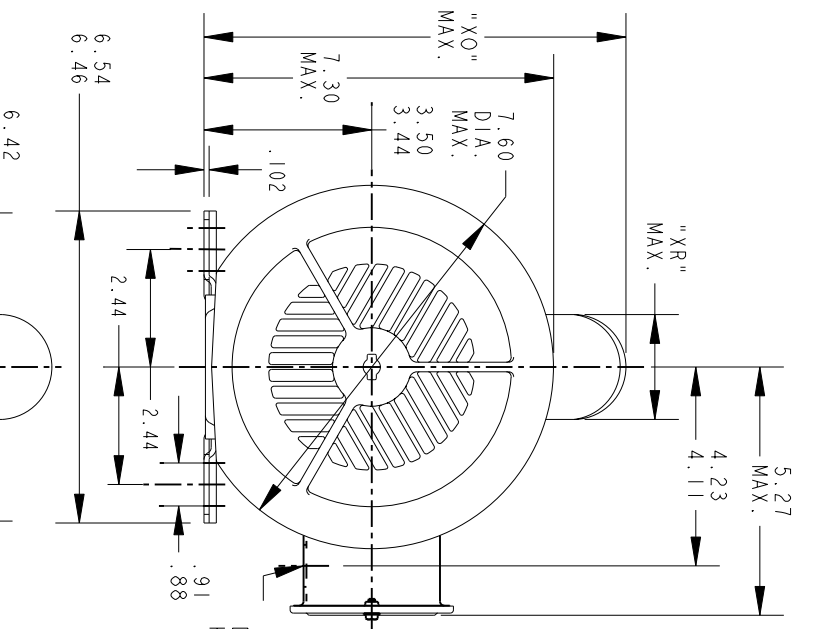
Electrical Type	<b>Capacitor Start Induction Run</b>	Starting Method	<b>SM</b>
Poles	<b>4</b>	Rotation	<b>Counterclockwise/Clockwise</b>
Mounting	<b>Resilient Base</b>	Motor Orientation	<b>ANY</b>
Drive End Bearing	<b>BALL</b>	Opp Drive End Bearing	<b>BALL</b>
Frame Material	<b>Rolled Steel</b>	Overall Length	<b>13.07 in</b>
Frame Length	<b>7.68 in</b>	Shaft Diameter	<b>0.63 in</b>
Shaft Extension	<b>1.88 in</b>	Thru-bolts Extension	<b>0</b>
Outline Drawing	<b>52A107624P3</b>	Connection Diagram	<b>52A105383BA</b>

**This is an uncontrolled document once printed or downloaded and is subject to change without notice. Date Created: 10/08/2018**

THIRD ANGLE PROJECTION



REVISIONS		DESCRIPTION	DATE	APPROVED
REV. 10	UPDATED DIMENSIONS FOR PART #3.	05/16/94	M.D. PAPE	
REV. 11	CHG TO RBC FORMAT PER ISO5-1777	02/28/06	SUDHA	



VIEW OF P.E. END SHIELD  
 \* W IS A VARIABLE CLEARANCE DUE TO VARIATIONS IN PARTS AND ASSEMBLY

P	TYPE	GE	NEMA	"C"	"L"	"XH"	"XO"	"XR"	"XS"	MIN. SHELL
4	KC	49	56	12.54	6.28	3.52	8.60	2.40	2.22	7.15
3	KC	49	56	13.07	6.81	3.58	8.95	2.40	2.23	7.68
2	KC	46	56	11.83	5.68	2.44	8.84	2.22	2.10	6.55
1	KC	42	56	11.00	4.85	2.08	8.84	2.22	2.46	5.72

ALL DIMENSIONS ARE IN INCHES

SIGNATURES		DATE
MODEL	M.D. PAPE	09/26/90
DETAIL		
CHECKED		
ENGRG		
FOR ADDITIONAL INFO REFER TO:	MFG	
APPLIED PRACTICES	QUALITY	
DIMENSIONS ARE IN INCHES	ISSUED	M.D. PAPE 05/06/94
MATERIAL	SOLID MODEL: 52A107624	



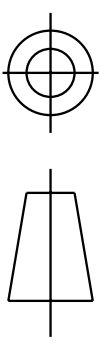
REGAL-BELOTT CORPORATION

TITLE OUTLINE

GENERAL PURPOSE MOTOR TEFC - BALL BEARING - RESILIENT BASE FMF - 40 FRAME REDESIGN (SKC42GN005X)

SIZE: DRAWING A  
 SCALE: 0.250 REF. No.:  
 52A107624 REV 11

SHEET 1 of 1



THIRD ANGLE PROJECTION

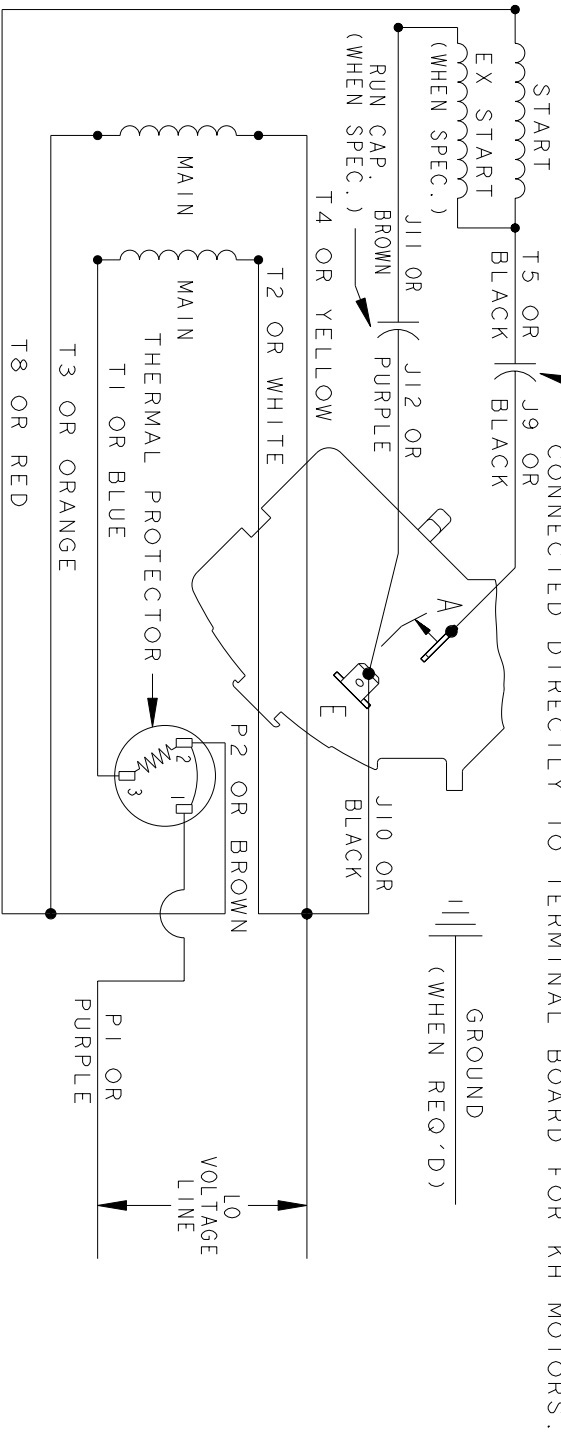
REVISIONS

REV.	DESCRIPTION	DATE	APPROVED
7	UPDATED FORMAT	01/05/06	MAM

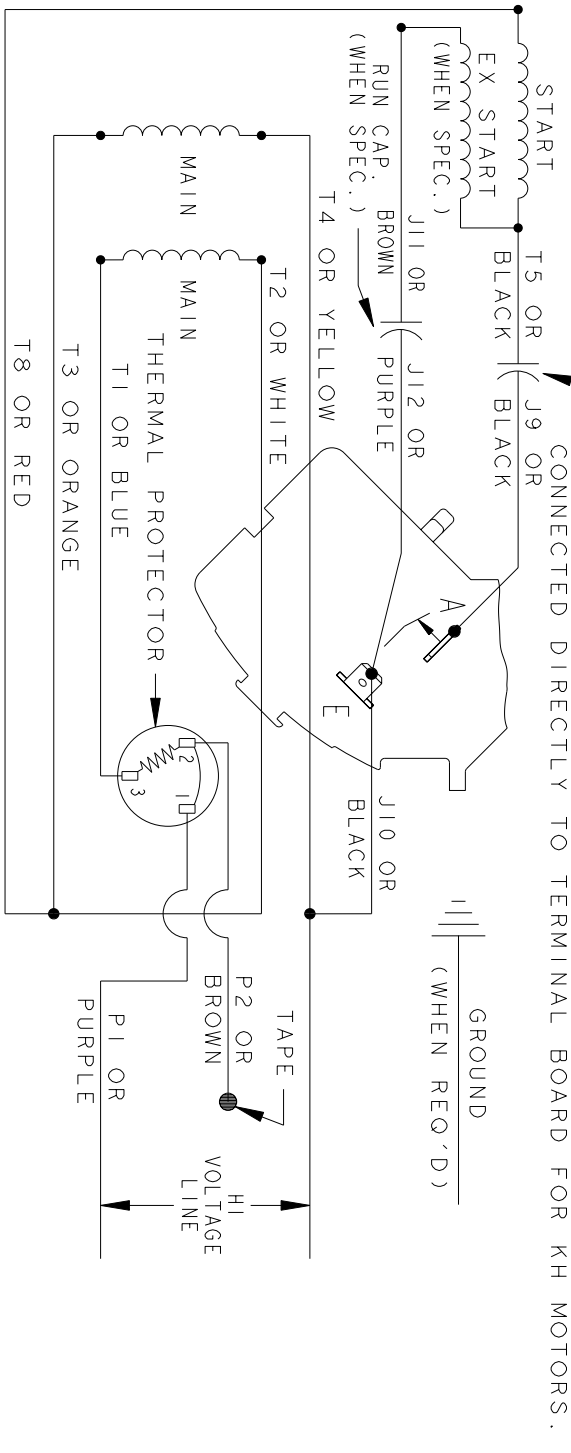
REV 7

CCW/CW ROTATION - DUAL VOLTAGE  
 TYPE KC, KH OR KCR - WITH THERMAL PROTECTOR

CAPACITOR AS SHOWN FOR KC MOTORS ONLY. LEAD T5 BLACK CONNECTED DIRECTLY TO TERMINAL BOARD FOR KH MOTORS.



CAPACITOR AS SHOWN FOR KC MOTORS ONLY. LEAD T5 BLACK CONNECTED DIRECTLY TO TERMINAL BOARD FOR KH MOTORS.



NOTE#1 - TO REVERSE ROTATION, INTERCHANGE T8 RED AND J10 BLACK LEADS.  
 NOTE#2 - WHEN MORE THAN ONE CAPACITOR IS USED, CONNECT IN PARALLEL.  
 NOTE#3 - 115D958ABP5 - HIGH CURRENT CONTACTS.

SWITCH (C) - 115D958ABP5, SWITCH (H) - 115D958AA (USE 115D958DA FOR EP)

REF. DIAG. - 113A327, 119A9352 & 52A102102 CONNECTION LABEL - 52X332912

SIGNATURES		DATE	
MODEL	M.D.P.	06/29/87	
DETAIL			
CHECKED			
ENGRG			
MFG			
QUALITY			
ISSUED	M.D.P.	12/11/97	
FOR ADDITIONAL INFO REFER TO:			
APPLIED PRACTICES			
DIMENSIONS ARE IN INCHES			
MATERIAL	SOLID MODEL: 52A105383BA		

**REGAL BELLOTT CORPORATION**

**CONNECTION DIAGRAM**

**FME: 30 FRAME SWITCH REDESIGN**

SCALE: 1.000 REF. No.: .

SIZE DRAWING A

TITLE

REV 7

SHEET 1 of 1